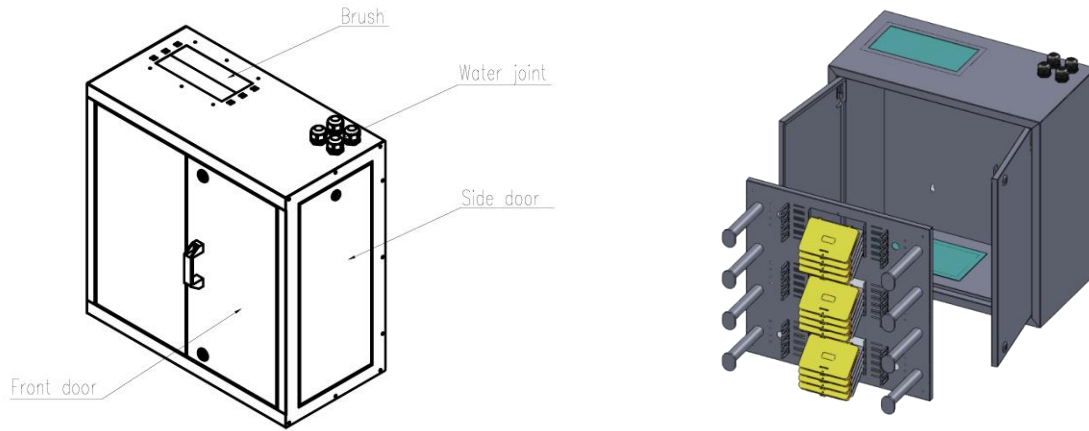




## Mini ODF - 144F/288F - Wall Mount Fiber Distribution Box



Avalon Mini ODF / Wall Mount Fiber Splice Enclosure can support up to maximum 288 splicing with 24 splice trays which support 12 splicing per tray. It is designed to install in building entrance or data centers and Floor Telecom facilities / closets for cross-connection between the distribution cables and drop cables.

### Cabinet Specifications

Dimensions	600mm x 600mm x 300mm
Weight	22.60 Kg
Maximum numbers of splice trays	24
Number of splicing per tray	12
Protective sleeve	60 mm
Outgoing ports	8 x PG29
Incoming ports	8 x PG16
Main body material	Cold rolled steel (1.2mm thickness)
Body Colour	RAL 7035 or RAL 9010 or RAL 9005
Operating Temperature	-40°C to +60°C
Storage Temperature	-25°C to +55°C
Supports	Up to 288F with 24 splice trays

### Ordering Information

Part Number	Description
AN-MODF-144DS	Mini ODF - 144F - Wall Mount Fiber Distribution Box with 12 splice trays
AN-MODF-288DS	Mini ODF - 288F - Wall Mount Fiber Distribution Box with 24 splice trays